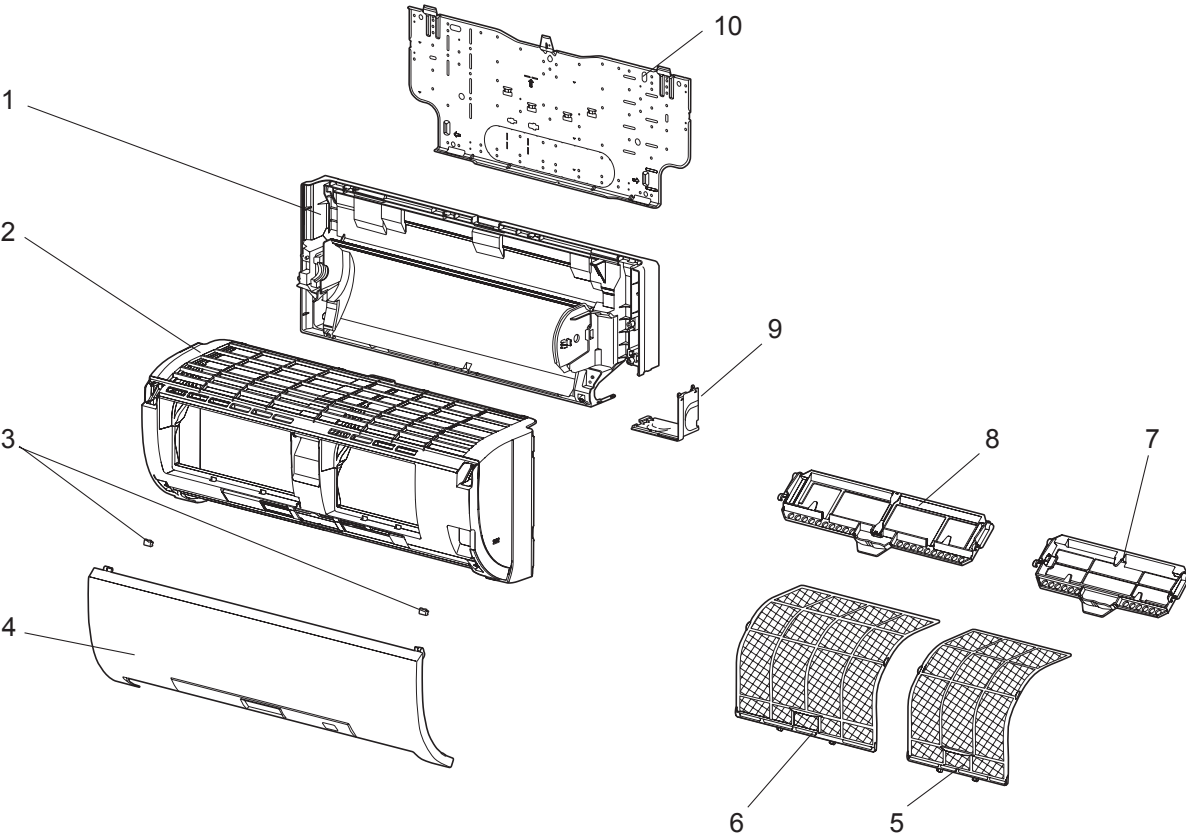


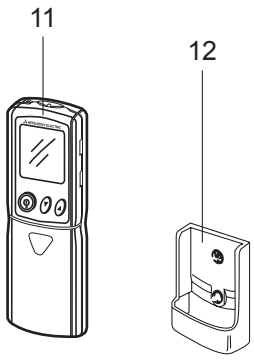
1 RoHS PARTS LIST

MSZ-FB25VA MSZ-FB35VA MSZ-FB50VA

1-1. INDOOR UNIT STRUCTURAL PARTS

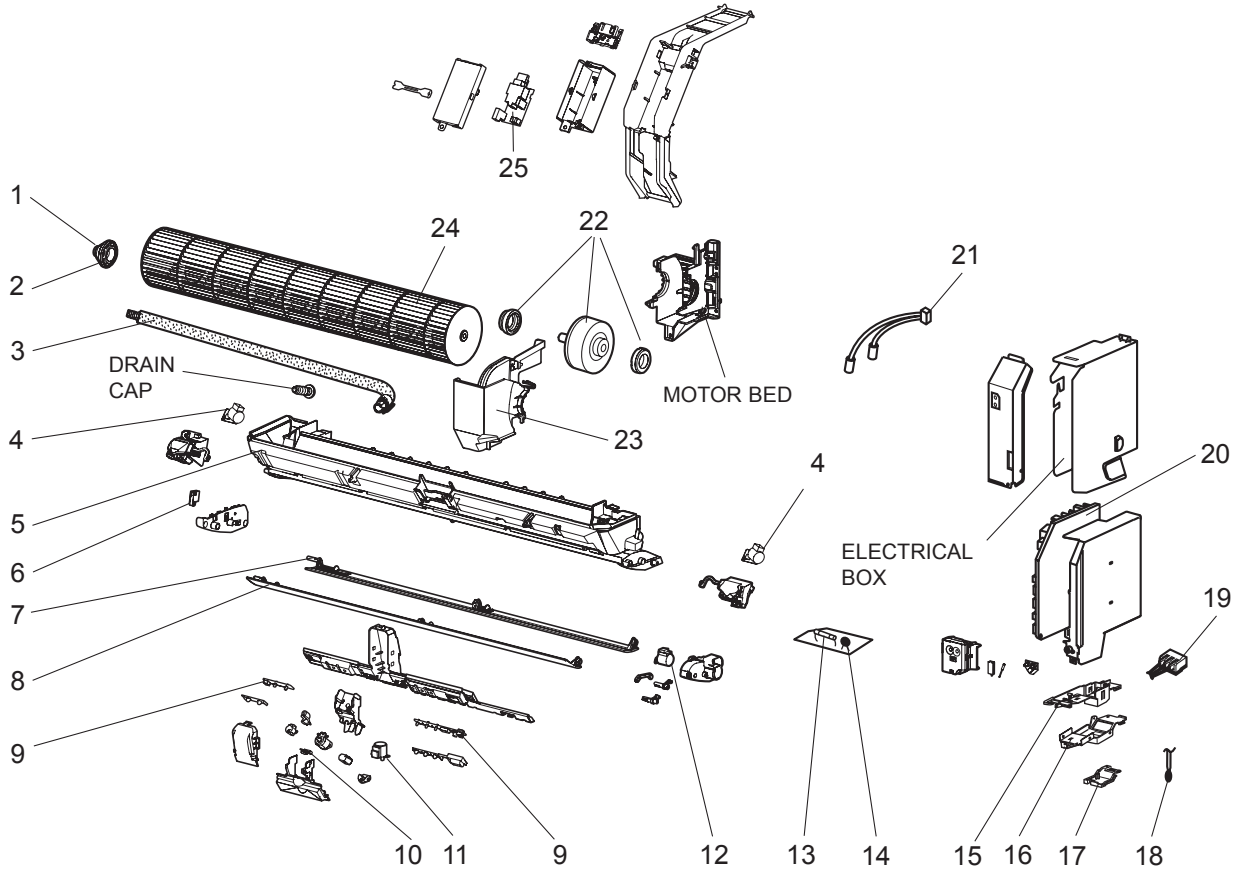


1-2. ACCESSORY AND REMOTE CONTROLLER



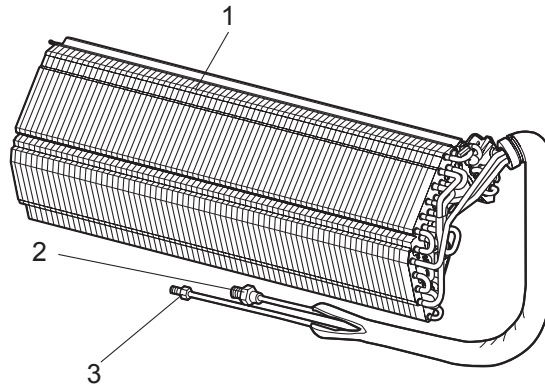
MSZ-FB25VA MSZ-FB35VA MSZ-FB50VA

1-3. INDOOR UNIT ELECTRICAL PARTS AND FUNCTIONAL PARTS



MSZ-FB25VA MSZ-FB35VA MSZ-FB50VA

1-4. INDOOR UNIT HEAT EXCHANGER

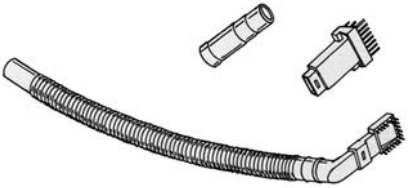


2

OPTIONAL PARTS

2-1. QUICK CLEAN KIT

- You can sweep the surface of heat exchanger and fan if you install the special-made brush to your vacuum cleaner.

| Model | Part No. | |
|-----------------------|-------------|--|
| MSZ-FB25/35/50 | MAC-093SS-E |  |

NOTE: Refer to the instructions described in the QUICK CLEAN KIT for details.

